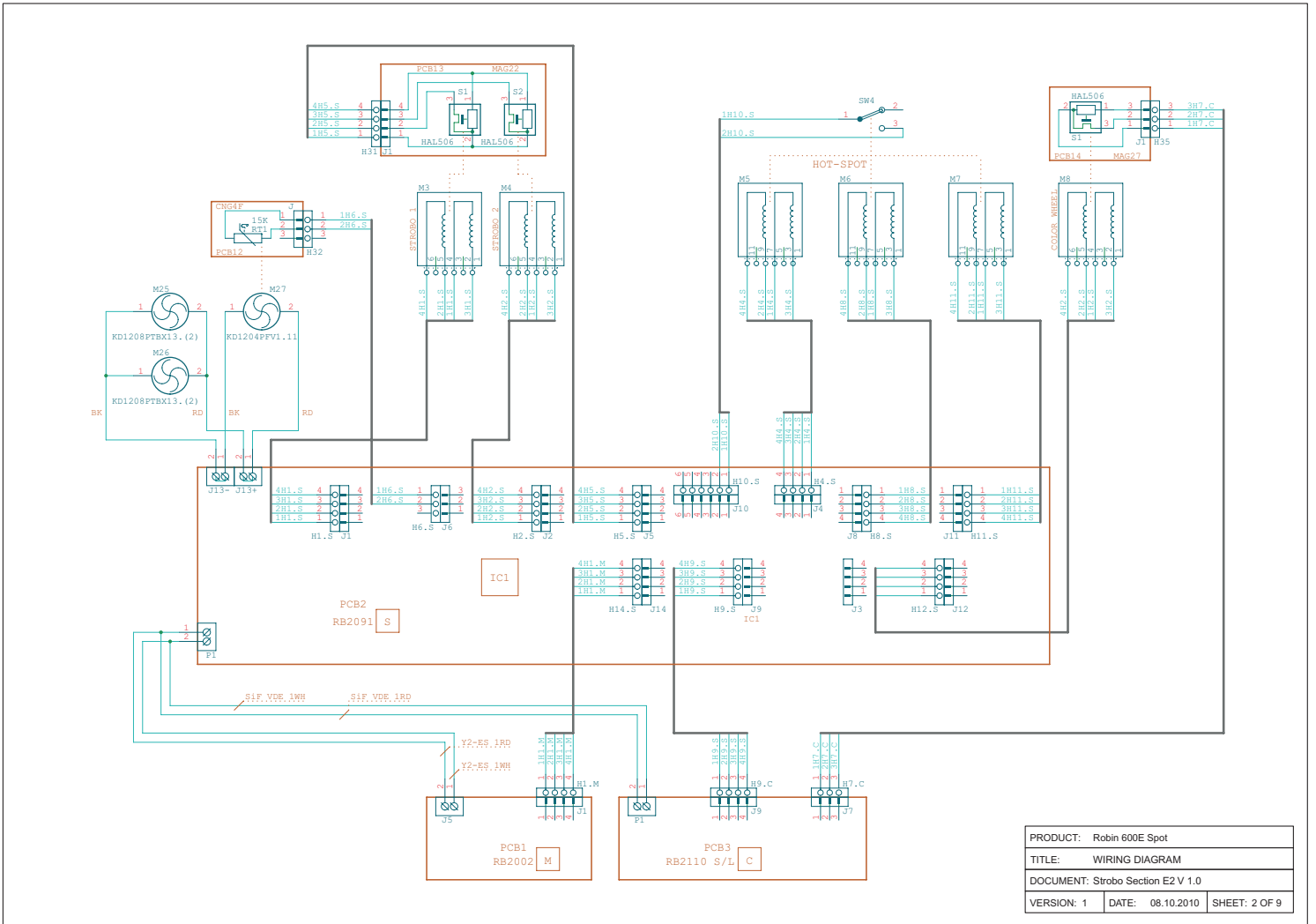
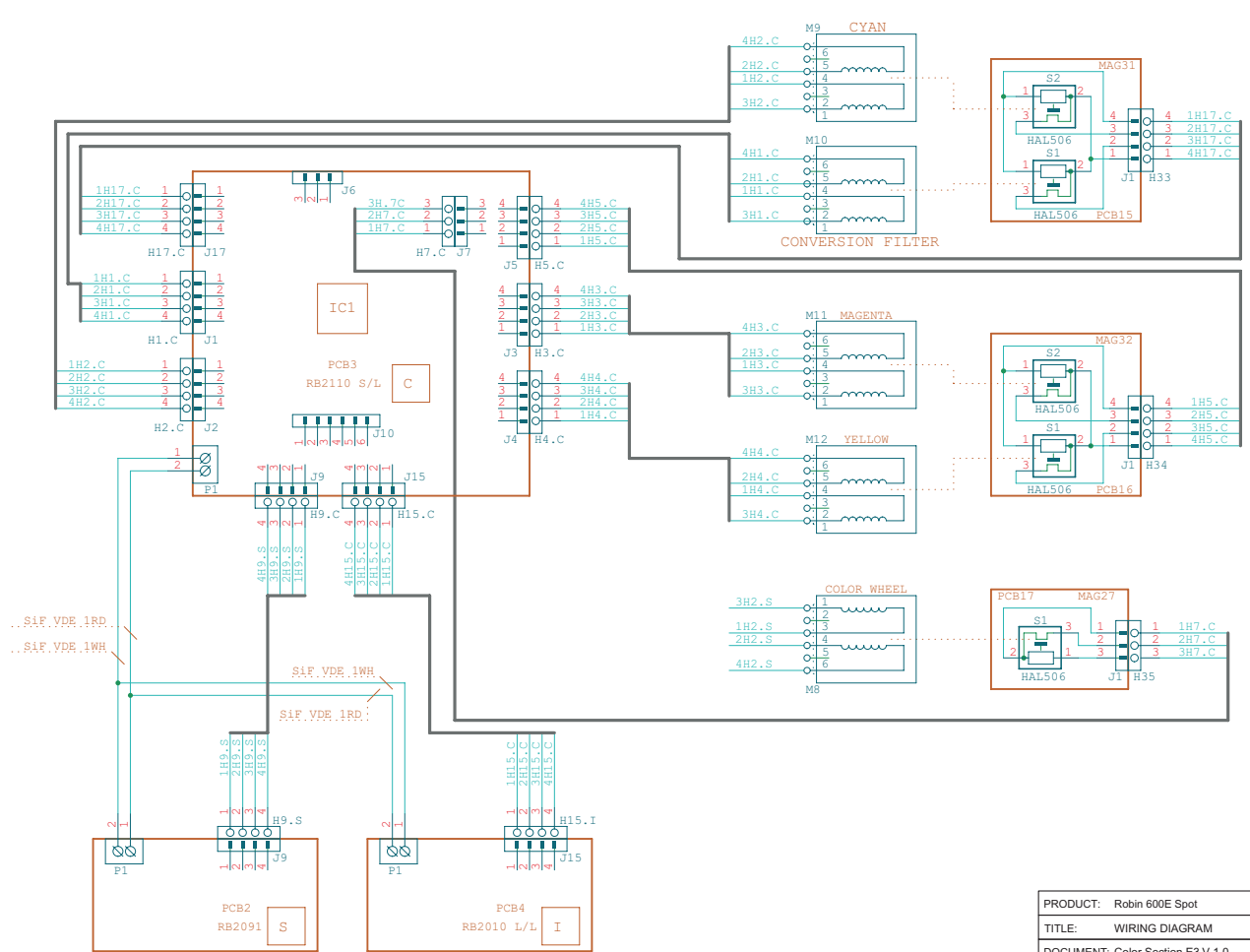


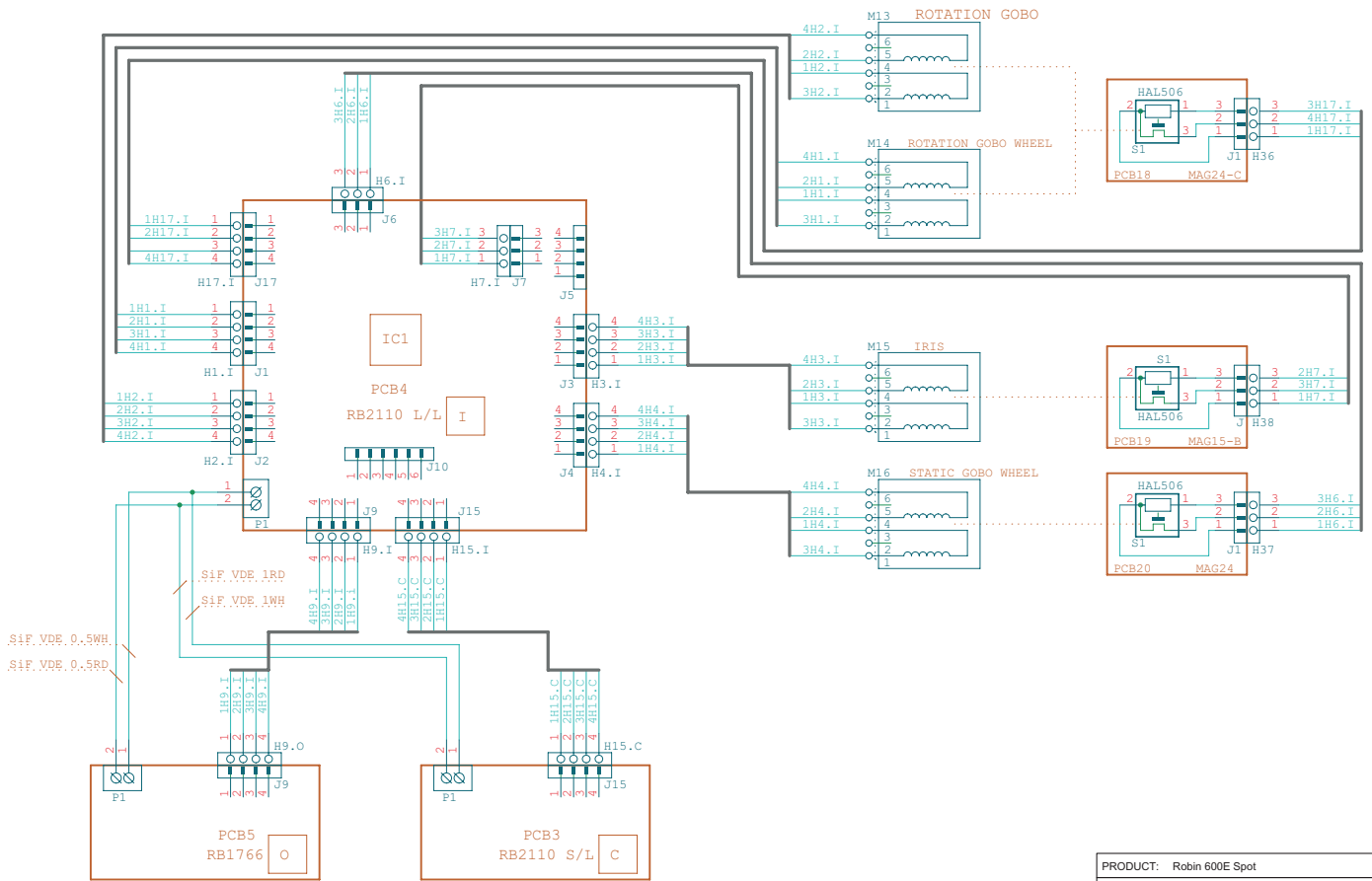
PRODUCT:	Robin 600E Spot
TITLE:	WIRING DIAGRAM
DOCUMENT:	Basic Section E1 V 1.0
VERSION:	1
DATE:	17.09.2010
SHEET:	1 OF 9



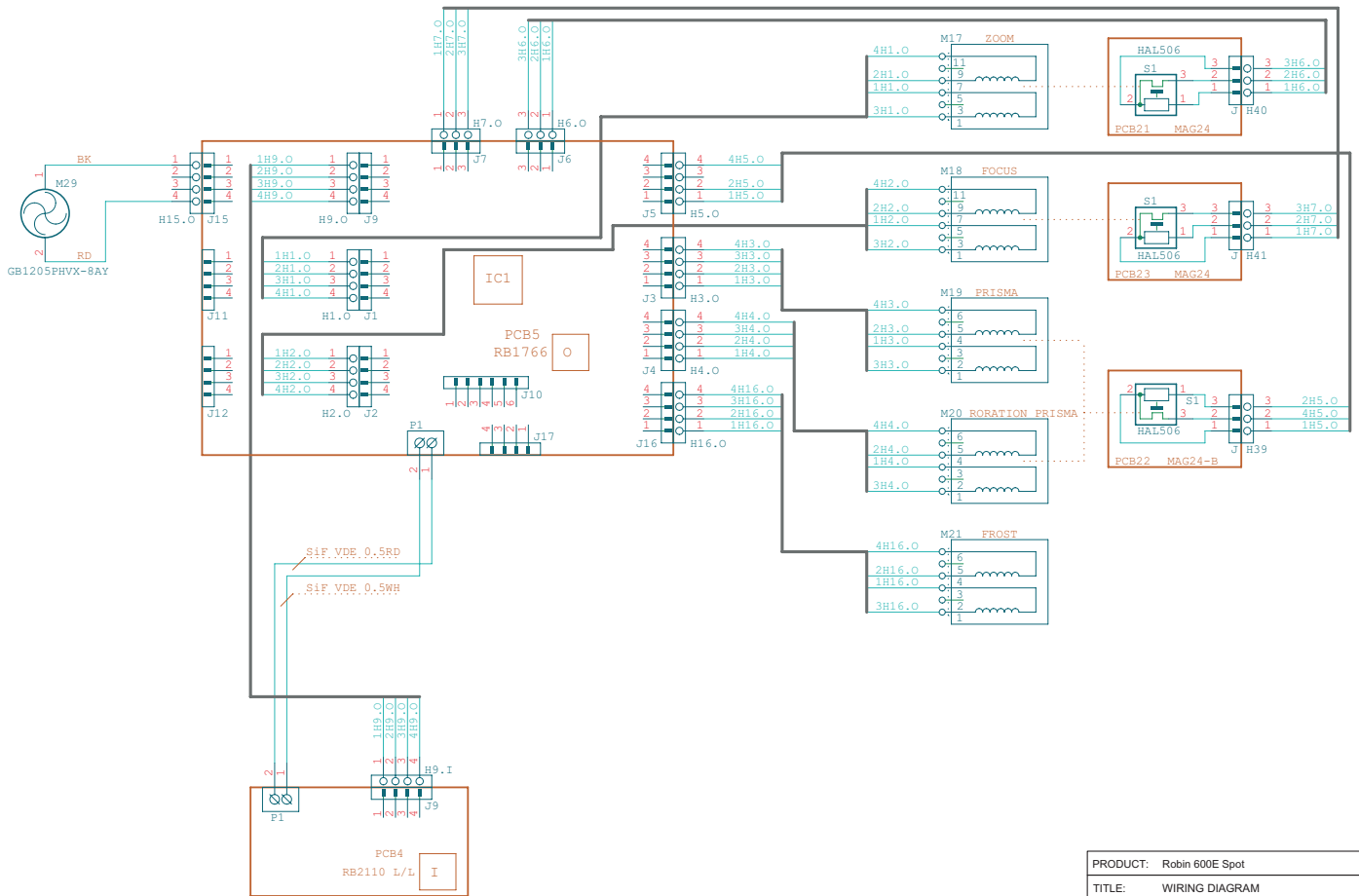
PRODUCT: Robin 600E Spot		
TITLE: WIRING DIAGRAM		
DOCUMENT: Strobe Section E2 V 1.0		
VERSION: 1	DATE: 08.10.2010	SHEET: 2 OF 9



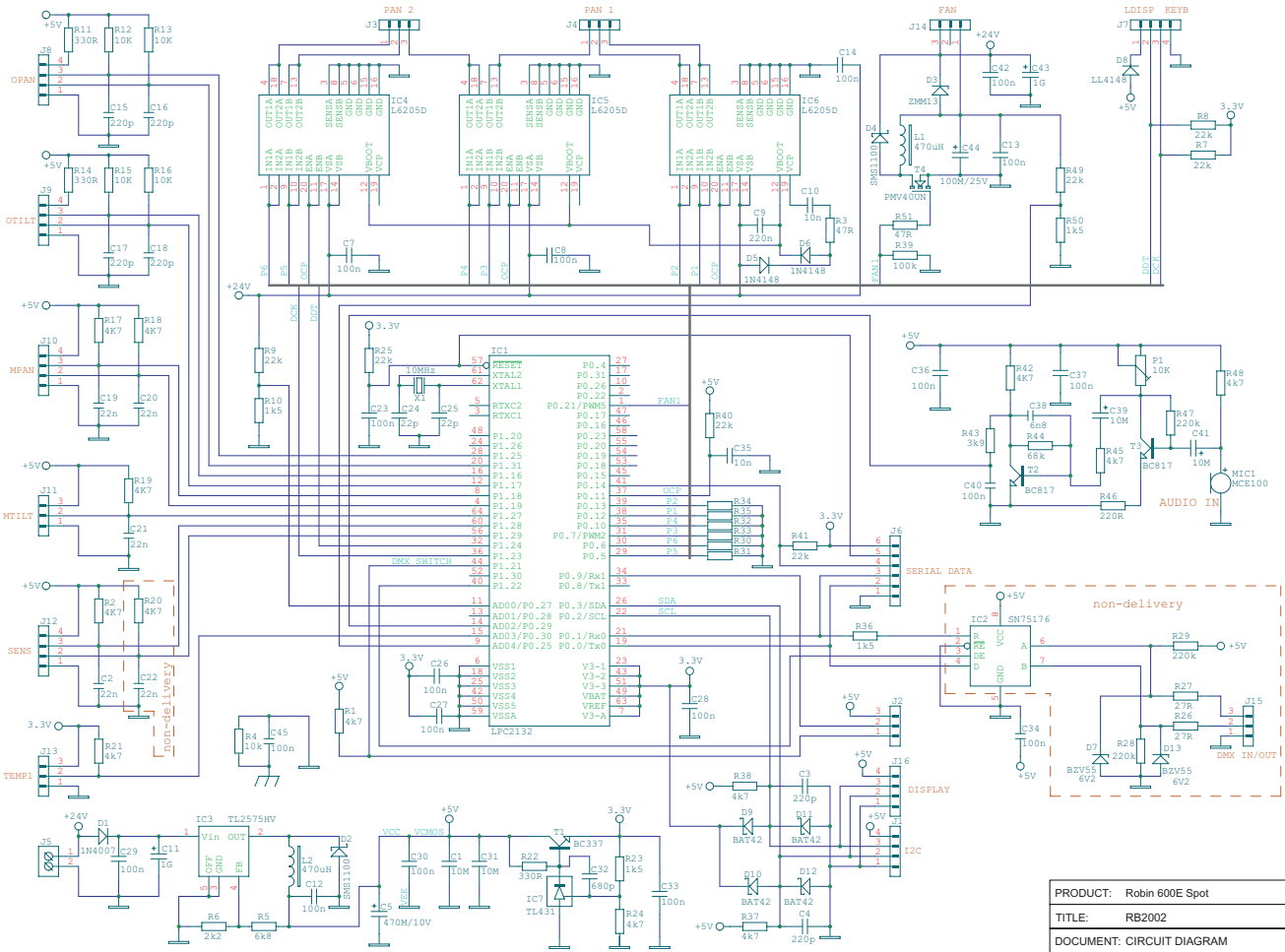
PRODUCT:	Robin 600E Spot	
TITLE:	WIRING DIAGRAM	
DOCUMENT:	Color Section E3 V 1.0	
VERSION:	DATE:	SHEET:
1	17.09.2010	3 OF 9



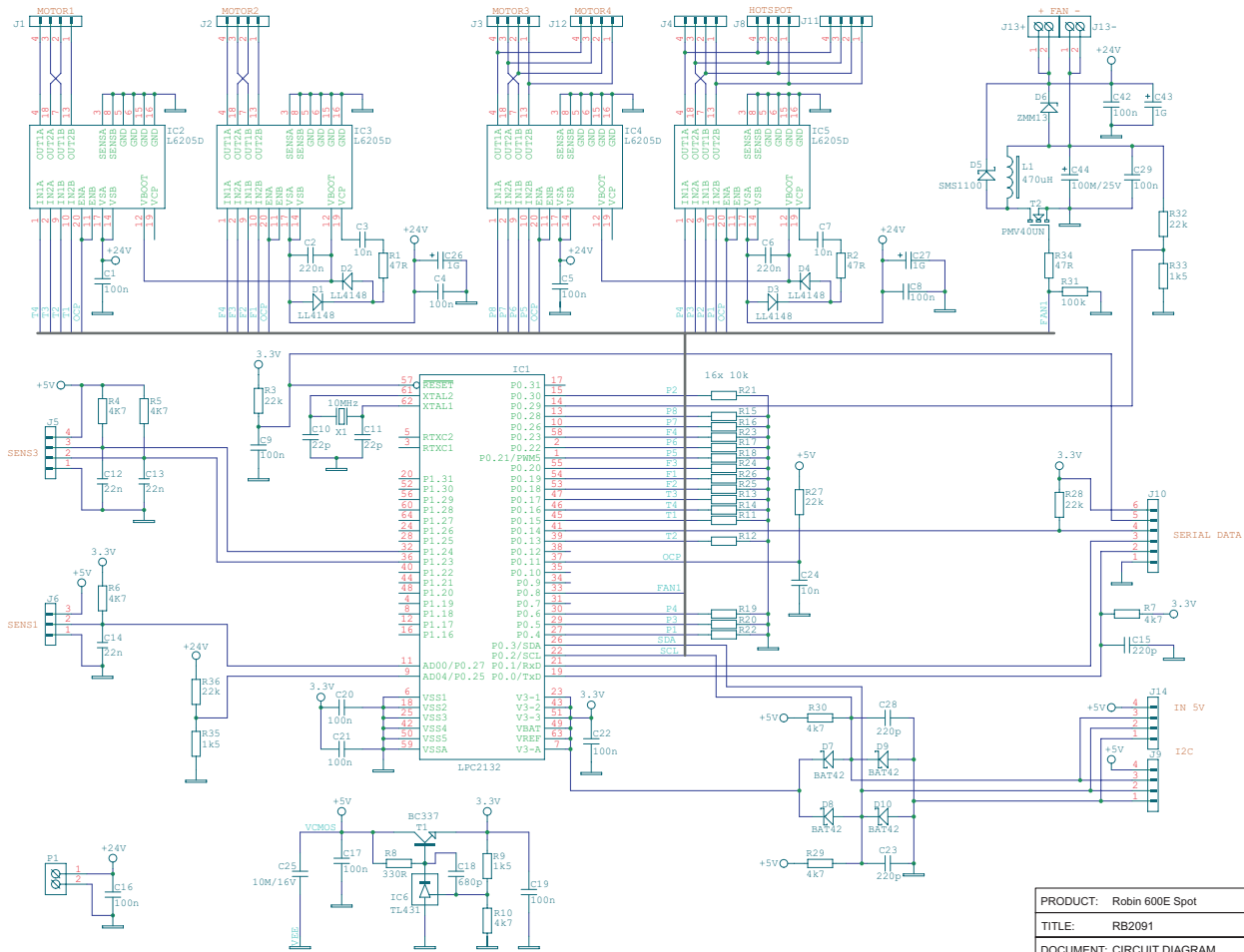
PRODUCT: Robin 600E Spot		
TITLE: WIRING DIAGRAM		
DOCUMENT: Iris Section E4 V 1.0		
VERSION: 1	DATE: 17.09.2010	SHEET: 4 OF 9



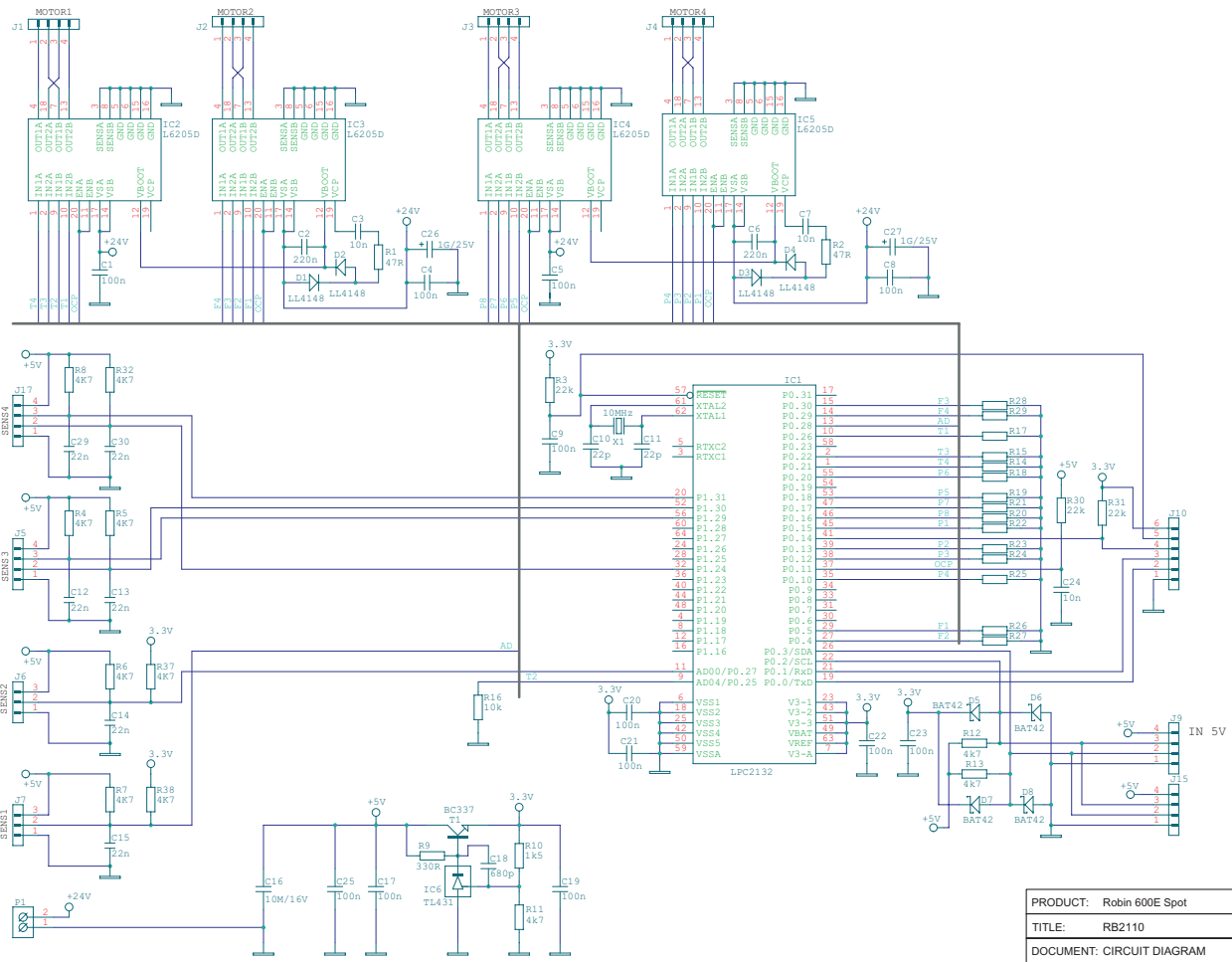
PRODUCT:	Robin 600E Spot		
TITLE:	WIRING DIAGRAM		
DOCUMENT:	Optic Section E5 V 1.0		
VERSION:	1	DATE:	17.09.2010
		SHEET:	5 OF 9



PRODUCT:	RobIn 600E Spot
TITLE:	RB2002
DOCUMENT:	CIRCUIT DIAGRAM
VERSION:	1
DATE:	17.09.2010
SHEET:	6 OF 9

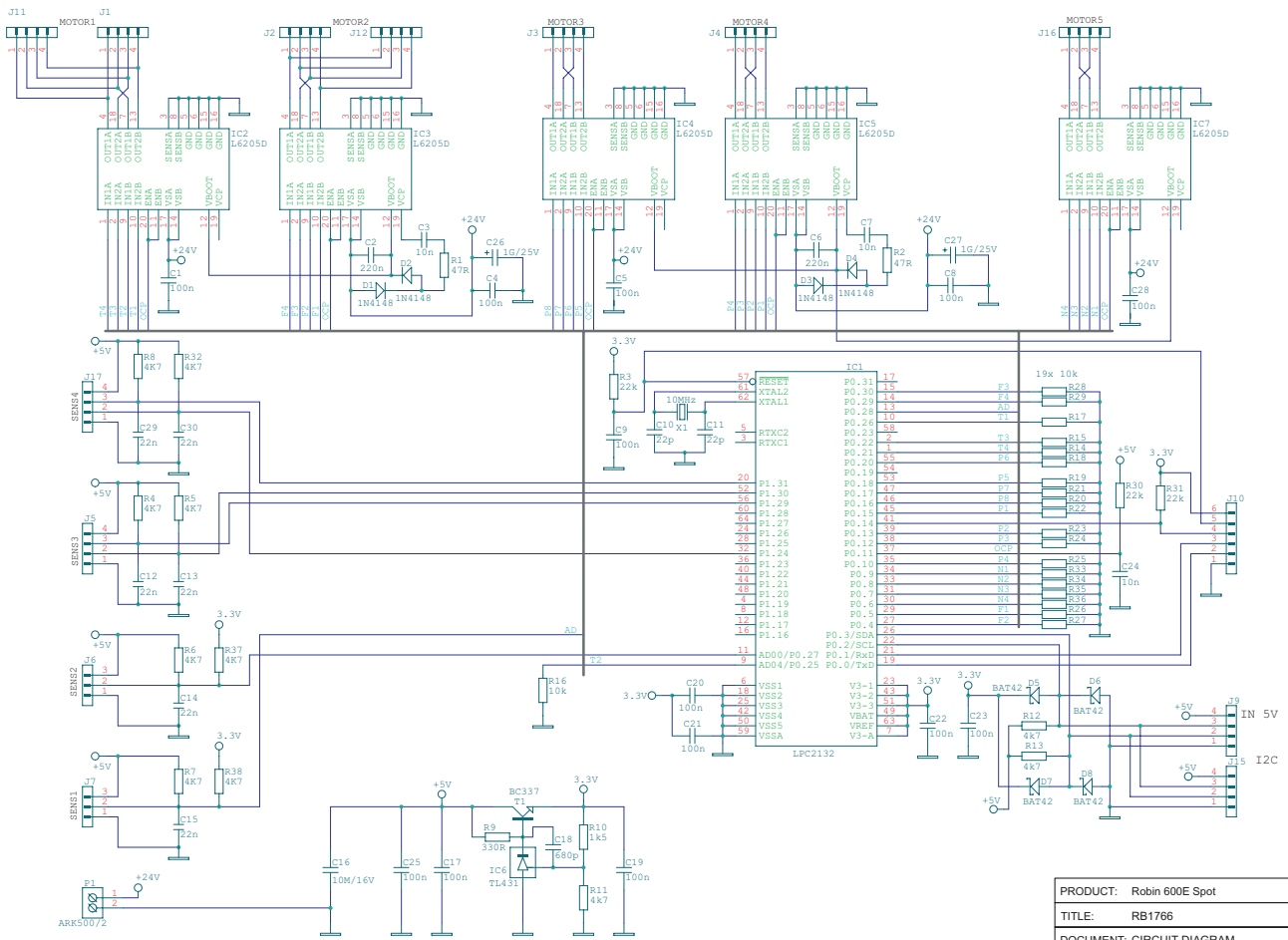


PRODUCT:	RobIn 600E Spot
TITLE:	RB2091
DOCUMENT:	CIRCUIT DIAGRAM
VERSION:	1
DATE:	17.09.2010
SHEET:	7 OF 9



PRODUCT:	RobIn 600E Spot
TITLE:	RB2110
DOCUMENT:	CIRCUIT DIAGRAM
VERSION:	1
DATE:	17.09.2010
SHEET:	8 OF 9





PRODUCT:	RobIn 600E Spot
TITLE:	RB1766
DOCUMENT:	CIRCUIT DIAGRAM
VERSION:	1
DATE:	17.09.2010
SHEET:	9 OF 9